

DRAPER[®]

INSTRUCTIONS FOR
Safety Harness

Stock No.82471 Part No.HNS/F/B

IMPORTANT: PLEASE READ THESE INSTRUCTIONS CAREFULLY TO ENSURE THE SAFE AND EFFECTIVE USE OF THIS PRODUCT.



CE0194

DRAPER[®]

GENERAL INFORMATION

These instructions accompanying the product are the original instructions. This document is part of the product, keep it for the life of the product passing it on to any subsequent holder of the product. Read all these instructions before assembling, operating or maintaining this product.

This manual has been compiled by Draper Tools describing the purpose for which the product has been designed, and contains all the necessary information to ensure its correct and safe use. By following all the general safety instructions contained in this manual, it will ensure both product and operator safety, together with longer life of the product itself.

All photographs and drawings in this manual are supplied by Draper Tools to help illustrate the operation of the product. Whilst every effort has been made to ensure the accuracy of information contained in this manual, the Draper Tools policy of continuous improvement determines the right to make modifications without prior warning.

1. FIELD OF APPLICATION

JE 1119 series harnesses that are made of polyester are designed according to EN361 and to be used for working at a height.

WARNING: This harness is to preventing the user of a personal fall protection system from going into a free fall.

This harness is one of the components intended for use in a fall arrest system and shall not be used for work positioning, restraint system and rescue system described in EN363 standard.

WARNING: Activities involving the use of this equipment are inherently dangerous.

You are responsible for your own actions and decisions.

Before using this equipment, you must:

- Read and understand all instructions for use.
- Get specific training in its proper use.
- Become acquainted with its capabilities and limitations.
- Understand and accept the risks involved.

Warning shall be given that the equipment shall not be used outside its limitations, or for any purpose other than that for which it is intended.

Failure to heed any of these warnings may result in severe injury or death.

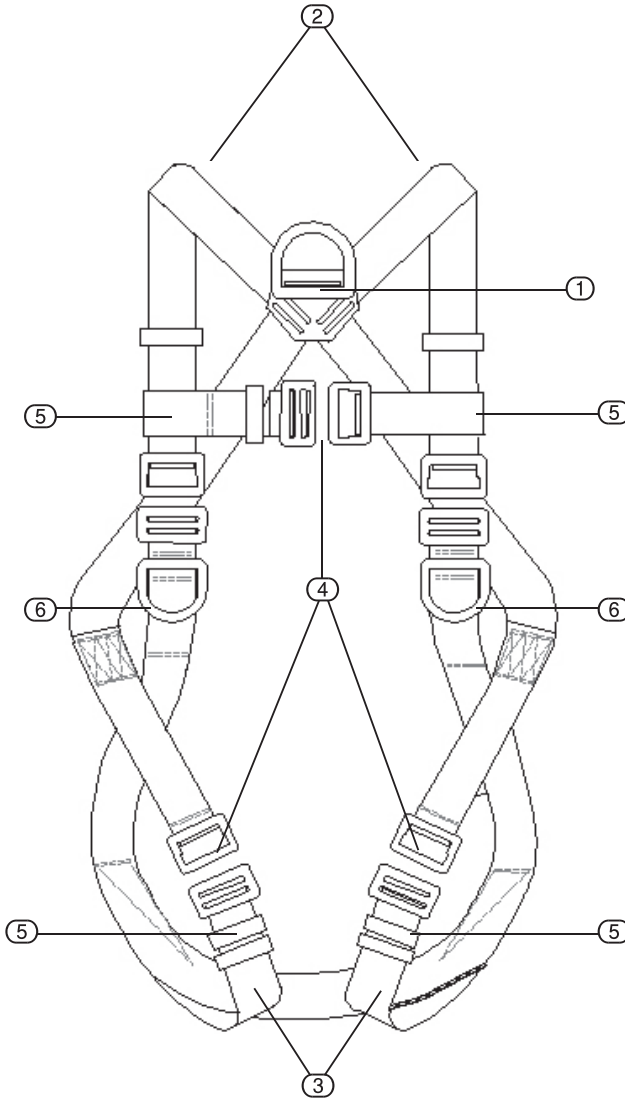
Responsibility

WARNING: specific training is essential before use. This product must only be used by competent and responsible persons, or those placed under the direct and visual control of a competent and responsible person. Gaining an adequate apprenticeship in appropriate techniques and methods of protection is your own responsibility. You personally assume all risks and responsibilities for all damage, injury or death which may occur during or following incorrect use of our products in any manner whatsoever. If you are not able, or not in a position to assume this responsibility or to take this risk, do not use this equipment.

If user has any medical condition that could render the user to use this apparatus, they should seek prior medical advice.

2. TECHNICAL DESCRIPTION

6.1 IDENTIFICATION



- ① EN361 dorsal attachment point
- ② Shoulder straps
- ③ Leg loops
- ④ Double Back adjustment buckle
- ⑤ Sliders
- ⑥ Frontal attachment points

3. INSPECTION, POINTS TO VERIFY

3.1 BEFORE EACH USE HARNESS

Full body harness is the only acceptable body holding device that can be used in a fall arrest system.

Check the webbing at the attachment points, at the adjustment buckles and at the safety stitching. Look for cuts in the webbing, wear and damage due to use, to heat, and to contact with chemical products, etc. Be particularly careful to check for cut threads. Verify that the buckles operate properly.

3.2 DIRECTIONAL CONNECTOR

Make sure the body, gate, and locking sleeve are free of any cracks, deformation, corrosion, etc. Open the gate and verify that it closes itself automatically when released. Verify that the locking sleeve operates properly. The Keylock slot (gate) must not be blocked by any foreign matter (dirt, pebble, etc.).

3.3 DURING EACH USE

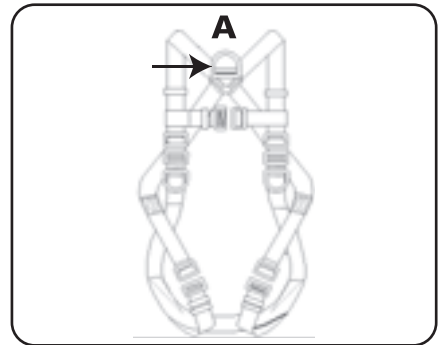
It is important to regularly inspect the condition of the product.

Check its connections with the other equipment in the system and make sure that the various pieces of equipment in the system are correctly positioned with respect to each other.

Contact Draper if there is any doubt about the condition of this product.

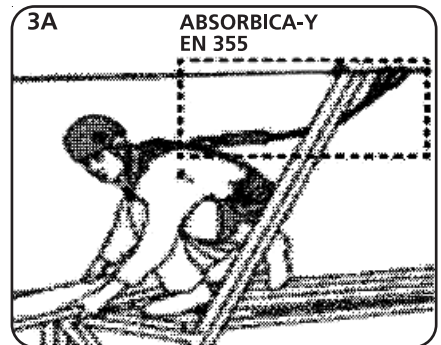
4. FALL ARREST

EN 361 fall arrest harness



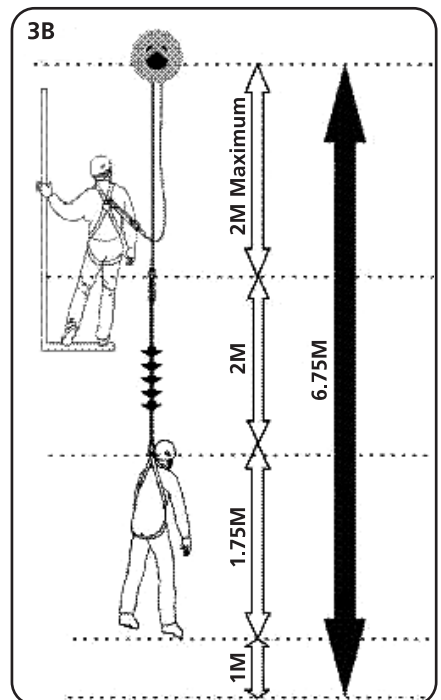
3A. Dorsal attachment point.

The point marked with letter "A" is used only for a fall arrest system combined with an energy absorber lanyard, connector and other components which comply to EN standard.



3B. Clearance = amount of clear free fall space between the anchor and an obstacle or the ground.

It is essential for safety to verify the free space required beneath the user at the workplace before each occasion of use. The clearance under the user must be sufficient to prevent him from hitting an obstacle in case of a fall. For information on how to calculate clearance, see 3B.



5. COMPATIBILITY

ATTACHMENT POINTS/CONNECTORS

An incompatible connection can cause accidental disconnection, breakage, or affect the safety function of another piece of equipment.

WARNING, the attachment points of your harness can act as a lever on the gate of a connector.

When a sudden tension comes onto the rope and/or an external pressure on the locking system, and the connector is poorly positioned, the locking sleeve can break and the gate can open itself.

To reduce this risk, check that your connectors are properly positioned each time the system is loaded (lanyard, descender, etc.).

Also make sure your connectors are compatible with the attachment points (shape, size, etc.) by avoiding the use of connectors showing a tendency to position themselves incorrectly in the attachment points.

COMPATIBILITY

Check that this product is compatible with the other components of your equipment, see the instructions specific to the products.

WARNING, when using multiple pieces of equipment together, a dangerous situation can result if the safety function of one piece of equipment is compromised by the operation of another piece of equipment.

Contact Draper if you are uncertain about the compatibility of your equipment.

Anchors: Work at height

The anchor point of the system should always be positioned and the work carried out in such a way, as to minimise both the potential for falls and potential fall distance. The anchorage point should preferably be located above the user's preferable position and must conform to the requirements of the EN 795 standard, in particular the minimum strength of the anchor must be 10 kN.

The connection to the anchoring point or to the structure must be done using e.g. connector, energy absorber, lanyard and to other components of a fall arrest system.

CONNECTORS

Karabiners must always be used with the gate closed and locked. Systematically verify the gate is closed by pressing it with your hand.

Inspect the connectors as indicated in their instructions for use.

5. COMPATIBILITY

VARIOUS

Warning: The full body harness performance may deteriorate under the following conditions e.g. excessively high temperature, the effect of sharp edges, chemical reagents, electrical conductivity, cutting, abrasion: UV degradation, and other climatic conditions.

- Users must be medically fit for activities at height. **WARNING**, inert suspension in a harness can result in serious injury or death.
- You must check to ensure that the product markings remain legible during the entire lifetime of the product.
- You must verify the suitability of this equipment for use in your application with regard to applicable governmental regulations and other standards on occupational safety.
- The instructions for use for each item of equipment used in conjunction with this product must be respected, to other European standard.
- The instructions for use must be provided to users of this equipment.

If the equipment is re-sold outside the original country of destination the reseller shall provide these instructions in the language of the country in which the product is to be used.

6. HOW TO PUT THE HARNESS ON

Open the leg loop buckles, step in and, holding the shoulder straps, put on the harness like a jacket.



Fasten and adjust the leg loops.



6. HOW TO PUT THE HARNESS ON

Adjust the shoulder straps.

Stow the excess webbing using the strap retainer on the shoulder strap.

Close the harness.

Adjustment and suspension test

Your harness must be adjusted to fit snugly to reduce the risk of injury in case of a fall.

You must move around and hang in the harness (suspension test) from dorsal attachment point with your equipment to verify that the harness fits properly, provides adequate comfort for the intended use and that it is optimally adjusted.



BUCKLE CONNECTION INSTRUCTIONS

Ensure straps are not twisted.

The loose end of webbing is for adjustment and must always be located on the outside (away from the user)



Pass the buckle with the centre bar under the square link.

Turn the centre bar buckle so that the edges line up with the slots in the square link.

Pull the centre bar buckle completely through the square link and allow it to fall into place on top of the square link.



Pull loose end of strap to tighten adjustment of the harness.

Then slide rigid keeper (on the chest strap only) up to buckle.

Tuck excess webbing into elastic keeper.



7. INFORMATION REGARDING STANDARDS

Certain requirements of the EN 365 standard are explained in this notice under the headings: Compatibility.

RESCUE PLAN

You must have a rescue plan and the means to rapidly implement it in case of difficulties encountered while using this equipment. This implies an adequate training in the necessary rescue techniques.

Anchorage: Work at height

The anchor point of the system should preferably be located above the user's position and must conform to the requirements of the EN 795 standard, in particular the minimum strength of the anchor must be 10 kN.

Various

- **WARNING DANGER**, in general, be careful that your products do not rub against abrasive or sharp surfaces.
- **WARNING**, when using multiple pieces of equipment together, a dangerous situation can result if the safety function of one piece of equipment is compromised by the operation of another piece of equipment.
- Users must be medically fit for activities at height. **WARNING**, inert suspension in a harness can result in serious injury or death.
- You must verify the suitability of this equipment for use in your application with regard to applicable governmental regulations and other standards on occupational safety.
- The instructions for use for each item of equipment used in conjunction with this product must be respected.
- The instructions for use must be provided to users of this equipment. If the equipment is re-sold outside the original country of destination the reseller shall provide these instructions in the language of the country in which the product is to be used

8. GENERAL INFORMATION

LIFETIME

WARNING, an exceptional event can reduce the lifetime of the product to one single use; for example, if it is exposed to any of the following: chemicals, extreme temperatures, sharp edges, major fall or load, etc.

The potential lifetime of Draper products is as follows: up to 10 years from the date of manufacture for plastic and textile products. It is indefinite for metallic products.

The actual lifetime of a product ends when it meets one of the retirement criteria listed below (see "When to retire your equipment"), or when in its system use it is judged obsolete.

The actual lifetime is influenced by a variety of factors such as: the intensity, frequency, and environment of use, the competence of the user, how well the product is stored and maintained, etc.

Inspect equipment periodically for damage and/or deterioration.

In addition to the inspection before and during use, a periodic in-depth inspection must be carried out by a competent inspector at least once every 12 months.

This inspection must be performed at least once every 12 months.

The frequency of the in-depth inspection must be governed by the type and the intensity of use.

To keep better track of your equipment, it is preferable to assign each piece of equipment to a unique user so that he will know its history.

The results of inspections should be documented in an equipment control card.

This document must allow recording of the following details: type of equipment, model, name and contact information of the manufacturer or distributor, means of identification (serial or individual number), year of manufacture, date of purchase, date of first use, name of user, all other pertinent information for example maintenance and frequency of use, the history of periodic inspections (date I comments and noted problems I name and signature of the competent person who performed the inspection I anticipated date of next

inspection). See example of detailed equipment control card and other informational Please contact Draper

WHEN TO RETIRE YOUR EQUIPMENT

Immediately retire any equipment if:

- it fails to pass inspection before and during use and the periodic in-depth inspection,
- it has been subjected to a major fall or load,
- you do not know its full usage history,
- it is at least 10 years old and made of plastics or textiles,
- you have any doubt as to its integrity.

Destroy retired equipment to prevent further use.

PRODUCT OBSOLESCENCE

There are many reasons why a product may be judged obsolete and thus retired before the end of its actual lifetime. Examples include: changes in applicable standards, regulations, or

legislation; development of new techniques, incompatibility with other equipment, etc.

MODIFICATIONS, REPAIRS

Any modification, addition to, or repair of the equipment other than that authorized by Draper is prohibited: due to the risk of reducing the effectiveness of the equipment.

STORAGE, TRANSPORT

Keep your harness in the bag supplied or other container to protect it from exposure to UV, moisture, chemical products, etc.

GUARANTEE

This product is guaranteed for 3 years against any faults in materials or manufacture. Exclusions from the guarantee: normal wear and tear, oxidation, modifications or alterations, incorrect storage, poor maintenance, damage due to accidents, to negligence, or to improper or incorrect usage.

Draper is not responsible for the consequences, direct, indirect or accidental, or any other type of damage befalling or resulting from the use of its products.

9. MAINTENANCE

Proper maintenance of your harness are primordial to ensure integrity of the component parts and therefore the user's safety.

So please comply strictly with the following recommendations:

1. Clean the straps and buckles in water and household soap, in case of minor soiling, wipe the full body harness with cotton cloth or a soft brush. Do not use any abrasive material. Never place heavy items on top of it.

For intensive cleaning, wash the harness in water at a temperature between 30°C to 60°C by using a neutral detergent (PH+ 7).

The washing temperature should not exceed 60°C.

Do not use acid or basic detergents. Follow the washing instructions absolutely without any deviations.

2. Use professional disinfectant without causing adverse effect on the materials, or conducted by a competent person for disinfecting and strictly adhered to manufacturer's procedure.
3. Allow the harness to dry naturally and shall be kept far from an open fire or any other source of heat.

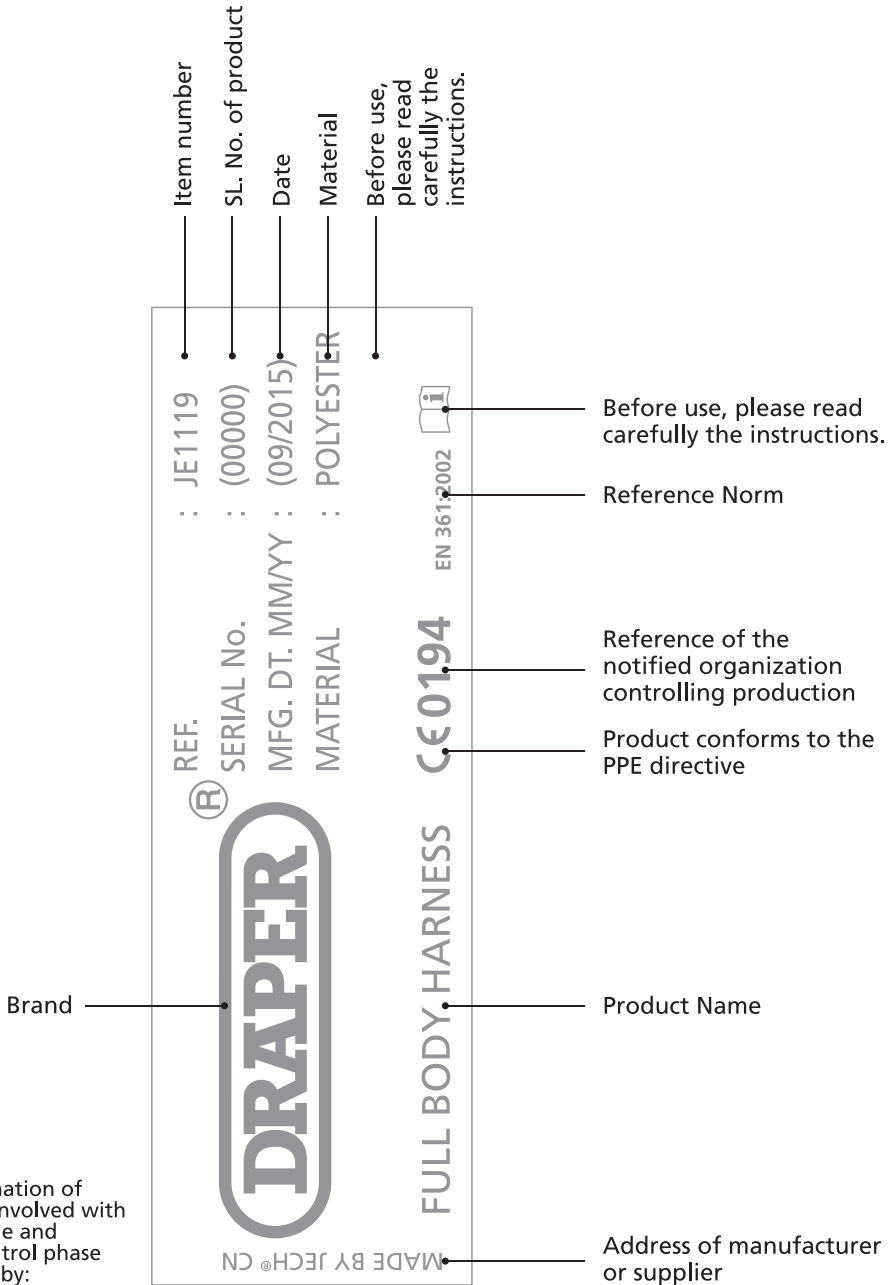
This also applies for harnesses that have gotten wet during use.

10. PERIODIC EXAMINATION

A competent person should periodically inspect and maintain records of the PPE as mentioned in the attached Verification Card.

1. The regular periodic examinations are very important, and that the safety of users depends upon the continued efficiency and durability of the equipment, at least once a year.
2. It is recommended that the harness should be inspected and examined by a competent person for any damage or failure if the need arise, and strictly in accordance with the manufacture's periodic examination procedures.
3. It is necessary of periodic examination when the equipment is complexity or innovation and in the dismantling, reassembly ,or assessment of equipment.
The periodic examination only be conducted by the manufacturer or by a person or organization authorized by the manufacturer.
4. Method of periodic examination could be carried out as follows:
 - A Inspect the webbing for any damages or cuts.
 - B Check all metal fittings for any damages or rust. Inspect for any cracks.
 - C Check all plastic fittings for any damages.
 - D Check all the stitches of the PPE.
 - E Maintain all inspection details on the Verification Card.
 - F Annual control to be made evident by punching.
 - G Check the legibility of the product markings .

11. LABEL



EC type examination of notified body involved with the design stage and production control phase are performed by:
 INSPEC INTERNATIONAL LTD.
 (Notified Body no. 0194)
 56, Leslie Hough Way, Salford,
 Greater Manchester M6 6AJ
 United Kingdom

12. ANNUAL INSPECTION

Full Body Harness

Manufacturers					
Contact details					
Manufacturing date			Life expiry date		
Model			Serial No.		
Date of Purchase			Date first put service	Name of User	

This harness can be used with Draper's other components of fall arrest system such as Energy absorbing lanyards

S. No.	Date	Controller	Results	Comments	Signature	Next Inspection
1.						
2.						
3.						
4.						
5.						
6.						
7.						

These instructions should be kept with the related material (traceable by the serial number) for the full duration of the life of the product.

This product is intended for use by a single user, and the user is also responsible for this product.

This product is to be used for personal protection only (against falls from heights) and limited to uses as described on the first page of these instructions.

It is **STRICTLY FORBIDDEN** to modify and/or alter any component of the product and/or the product in whole.

Any product which has seen a **FALL** or shows any sign of **DETERIORATION**, and/or requires **REPAIRS** must be returned to the manufacturer or authorized agent.

Prior to every use a visual inspection is recommended.

An annual inspection by a competent person following with the manufacturers or authorized agents instructions is **COMPULSORY**

ATTENTION: the inspection should include but not limited to: loose, cracked or defective hardware frayed, crushed or broken strands damaged or loose termination.

The minimum strength of the anchorage points, for connecting is: (15 kN) anchorage must be placed above the position of the user.

Harness, vest, overall and user manual marked with capital letter "A", means use as fall arrest attachment point.