

Properties

- Frame and cover are made of extruded aluminum profile and are easy to open with lifting keys.
- Application: indoor and outdoor use.
- The cover is screw tight.
- Standard equipped with a reinforcement mesh.
- The bottom plate is made of a 3mm galvanized steel plate (on request: bottom plate in 3mm aluminum).
- Three seals: two seals at the base and a T rubber seal incorporated into the outer frame.
- The T rubber seal has three functions:
 - It prevents dirt between the cover and the frame.
 - The rubber's elastic effect avoids tension between the cover and the frame.
 - It offers an additional smell barrier.



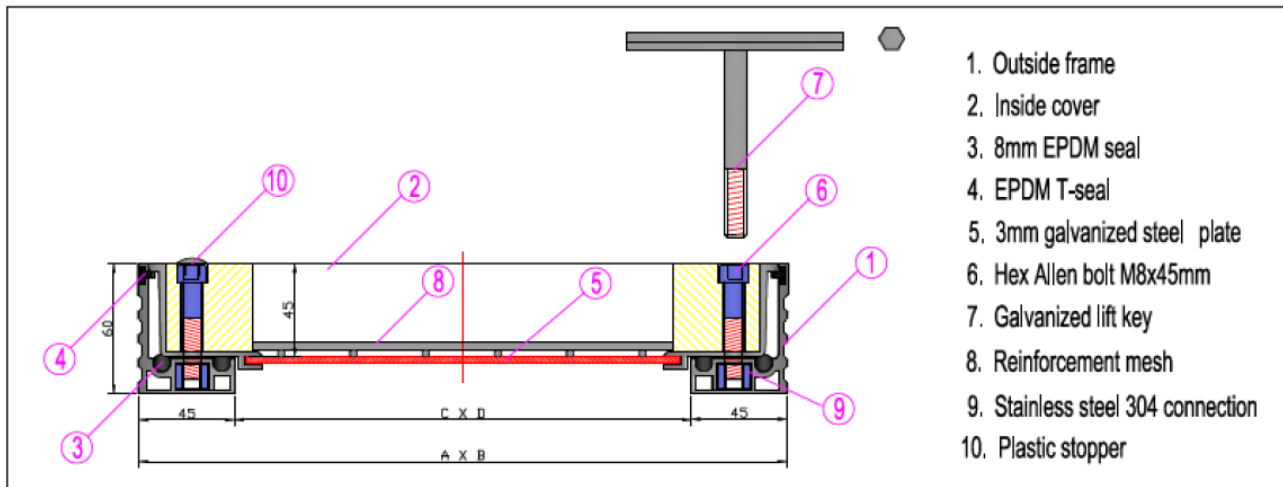
Gas proof



Smell proof



Water proof



HEIGHT

Dimensions A x B (mm)	Opening C x D (mm)	40 mm		60 mm	
		Weight (kg)	Product no.	Weight (kg)	Product no.
300 x 300	210 x 210	3.79	DL40P300	4.11	DC60P300
400 x 400	310 x 310	5.96	DL40P400	6.27	DC60P400
500 x 500	410 x 410	8.59	DL40P500	9.06	DC60P500
600 x 600	510 x 510	12.00	DL40P600	12.30	DC60P600
700 x 700	610 x 610	15.66	DL40P700	15.96	DC60P700
800 x 800	710 x 710	19.98	DL40P800	19.98	DC60P800
900 x 900	810 x 810	24.76	DL40P900	24.99	DC60P900
1000 x 1000	910 x 910	30.44	DL40P1000	30.56	DC60P1000

