

## Product information

**26 22 200**

### Snipe Nose Side Cutting Pliers (Stork Beak Pliers)

DIN ISO 5745

- Elastic tips: dimensionally stable even when twisted
- Distortion-tolerant, elastic precision tips
- Half-round, long, tapered jaws
- With cutting edges for soft, medium-hard and hard wire
- Cutting edges additionally induction-hardened, cutting edge hardness approx. 61 HRC
- 40° angled jaws
- Vanadium electric steel, forged, multi stage oil-hardened



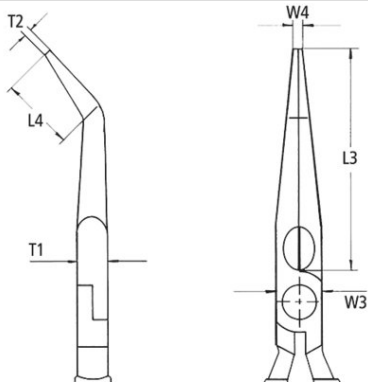
#### General

Article No.	26 22 200
EAN	4003773023135
Pliers	black atramentized
Head	polished
Handles	with multi-component grips
Weight	197 g
Dimensions	200 x 53 x 19 mm
Standard	DIN ISO 5745
REACH compliant	does not contain SVHC
RoHS compliant	not applicable

#### Technical details

Cutting capacities medium hard wire (diameter)	Ø 3.2 mm
Cutting capacities hard wire (diameter)	Ø 2.2 mm
Jaw thickness (joint) (T1)	9.5 mm
Tips width (W4)	3.0 mm
Tips thickness (T2)	2.5 mm
Gripping surface length (L4)	23.0 mm
Jaw length (L3)	73.0 mm
Head width (W3)	18 mm

## Technical details



*technical change and errors excepted*

