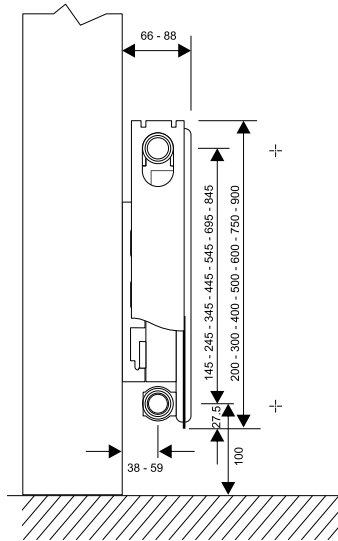
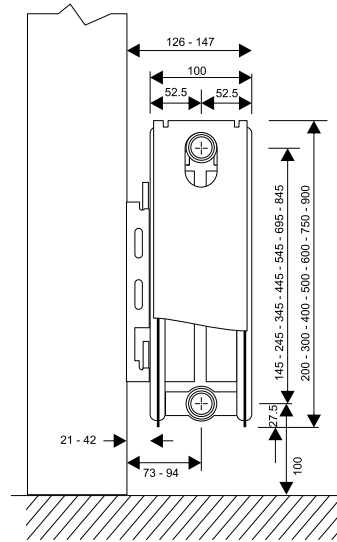


# Firefly Compact Radiator Technical Specification

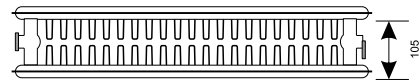
## Radiator Dimensions



Type 11- Installation



Type 22 - Installation



## Water Content LT/M

Type	Length						
	200mm	300mm	400mm	500mm	600mm	750mm	900mm
11	1.67	1.93	2.22	2.51	2.80	3.60	4.13
22	3.03	3.60	4.37	5.13	5.90	6.80	7.90

## Weight KG/M

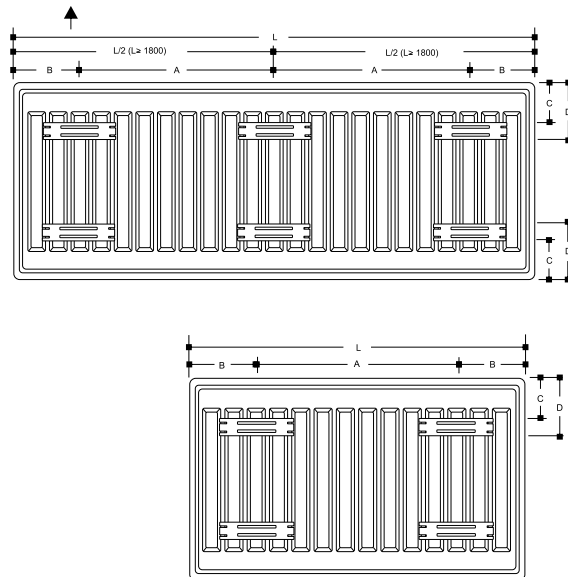
Type	Length						
	200mm	300mm	400mm	500mm	600mm	750mm	900mm
11	6.6	9.0	12.3	14.9	18.2	22.0	26.0
22	12.1	16.5	22.9	28.0	34.3	41.2	49.6

# Firefly Compact Radiator Technical Specification

## Bracket Positioning

L	A		B		C mm	D mm	Row of Brackets
	Type 11 mm	Type 22 mm	Type 11 mm	Type 22 mm			
400	167	133	116.5	133.3	80	105	2
500	267	233	116.5	133.3	80	105	2
600	367	333	116.5	133.3	80	105	2
700	467	433	116.5	133.3	80	105	2
800	567	533	116.5	133.3	80	105	2
900	667	633	116.5	133.3	80	105	2
1000	767	733	116.5	133.3	80	105	2
1100	867	833	116.5	133.3	80	105	2
1200	967	933	116.5	133.3	80	105	2
1400	1167	1133	116.5	133.3	80	105	2
1600	1367	1333	116.5	133.3	80	105	2
1800	767/800	767/800	116.5	133.3	80	105	3
2000	867/900	867/900	116.5	133.3	80	105	3

All dimensions are in mm



## Mounting Bracket Dimensions

Radiator Height	Centres Fixing Dimension C
300mm	45mm
400mm	92.5mm
500mm	192.5mm
600mm	292.5mm
750mm	442.5mm
900mm	592.5mm

