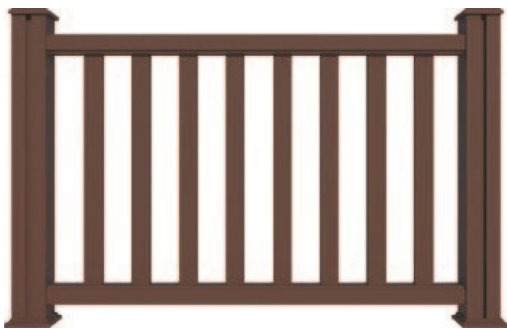




TERANNA RAILING

Installation Guidelines



Post



Hand Rail



Baluster



End Cover



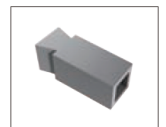
Cap



Skirt



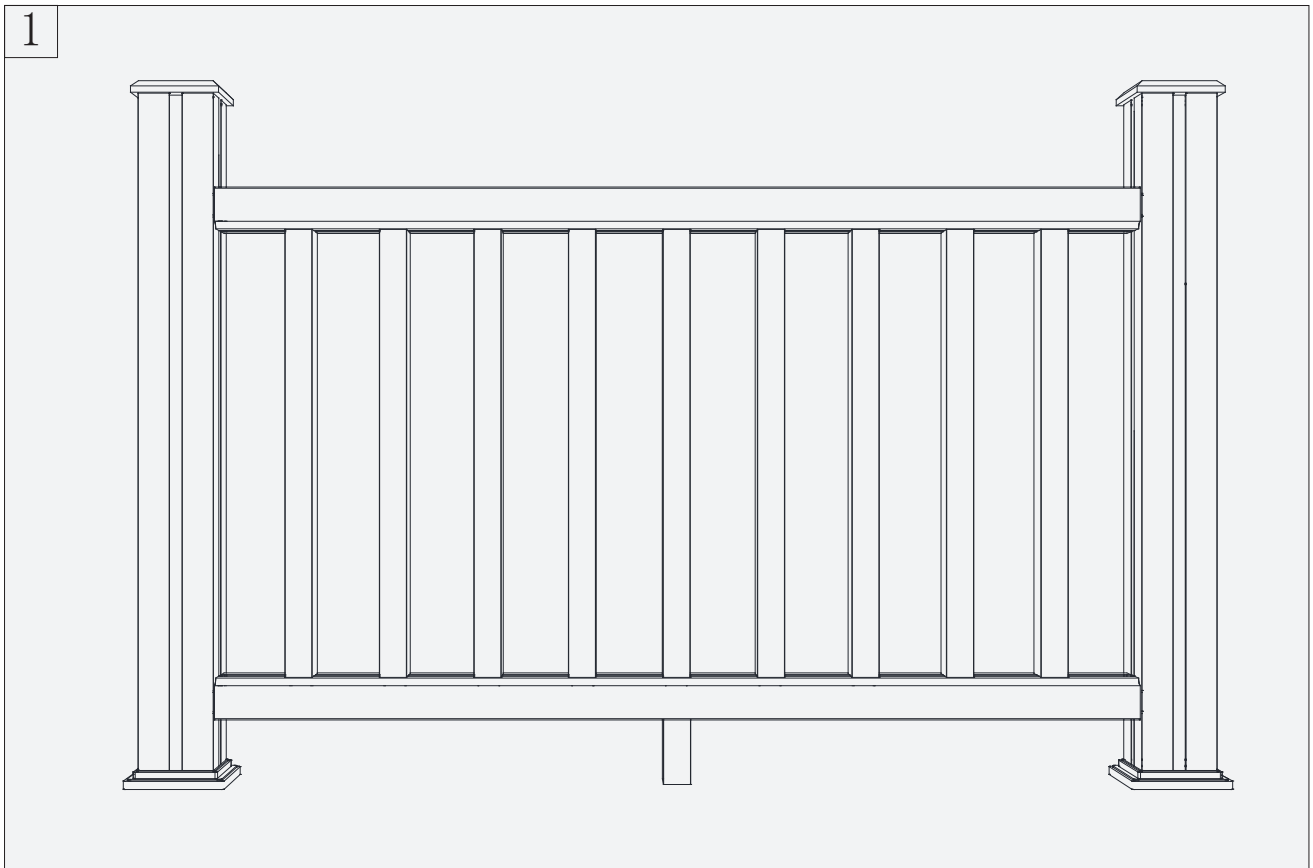
Steel Holder



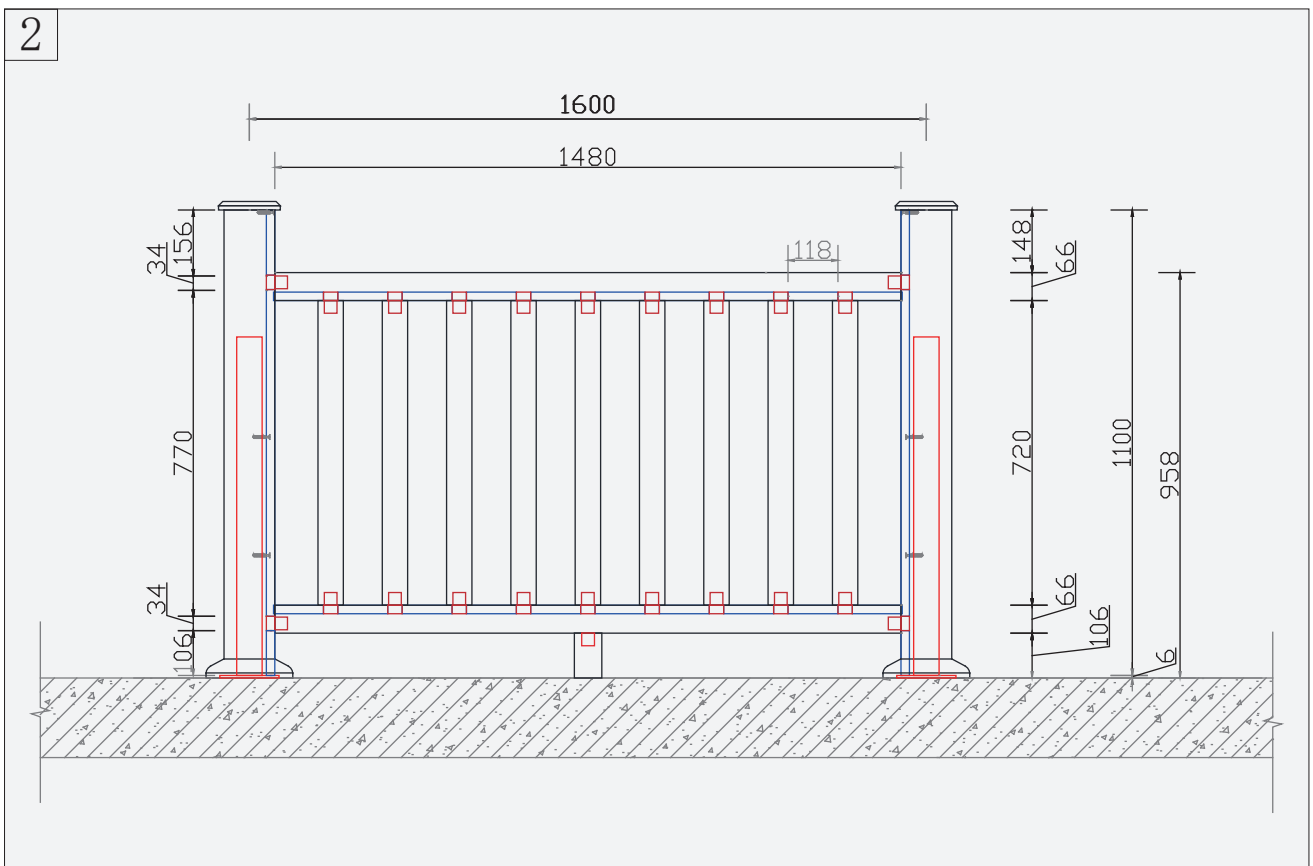
Connections



Railing Installation

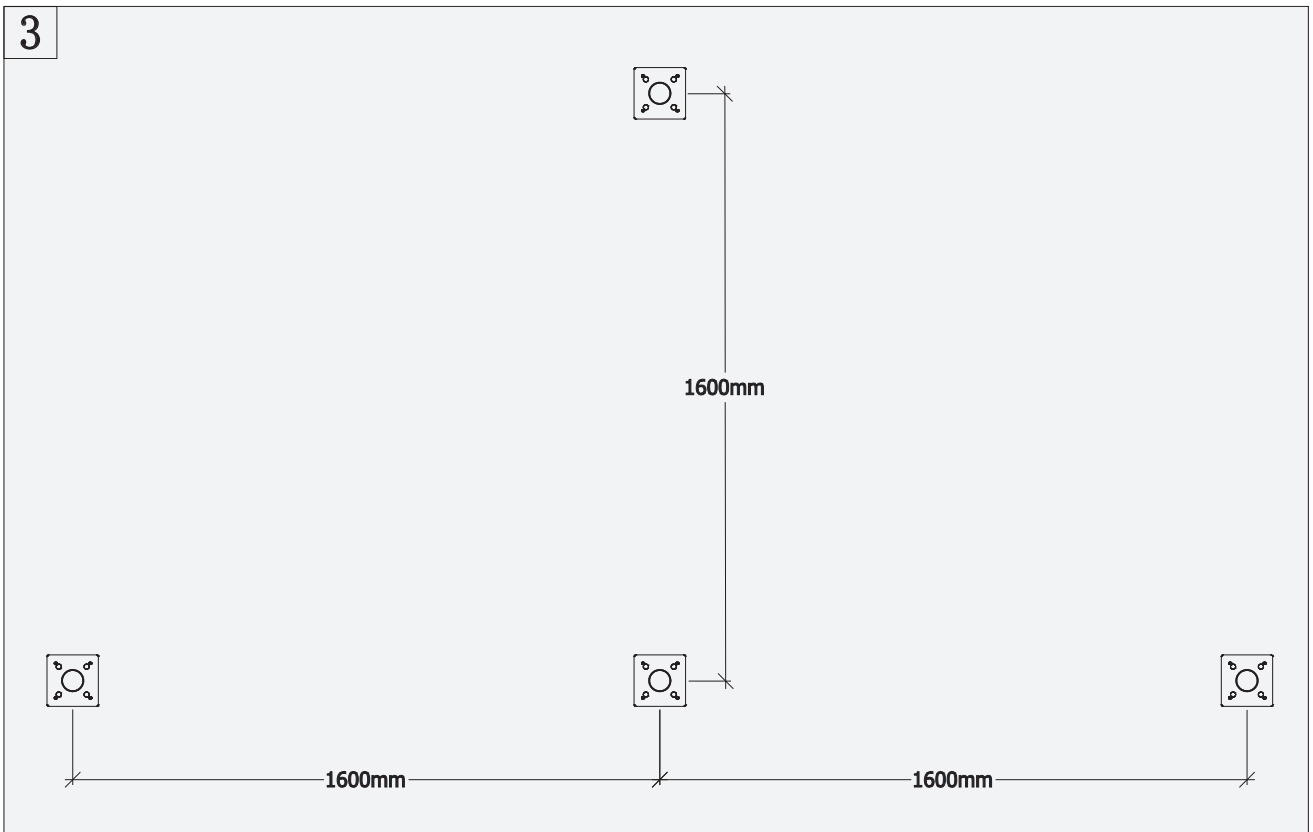


Overall effect drawing



Detailed drawing

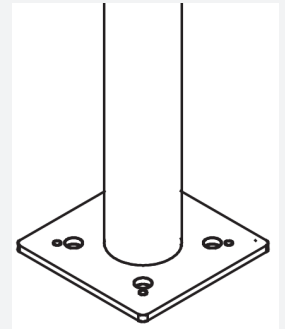
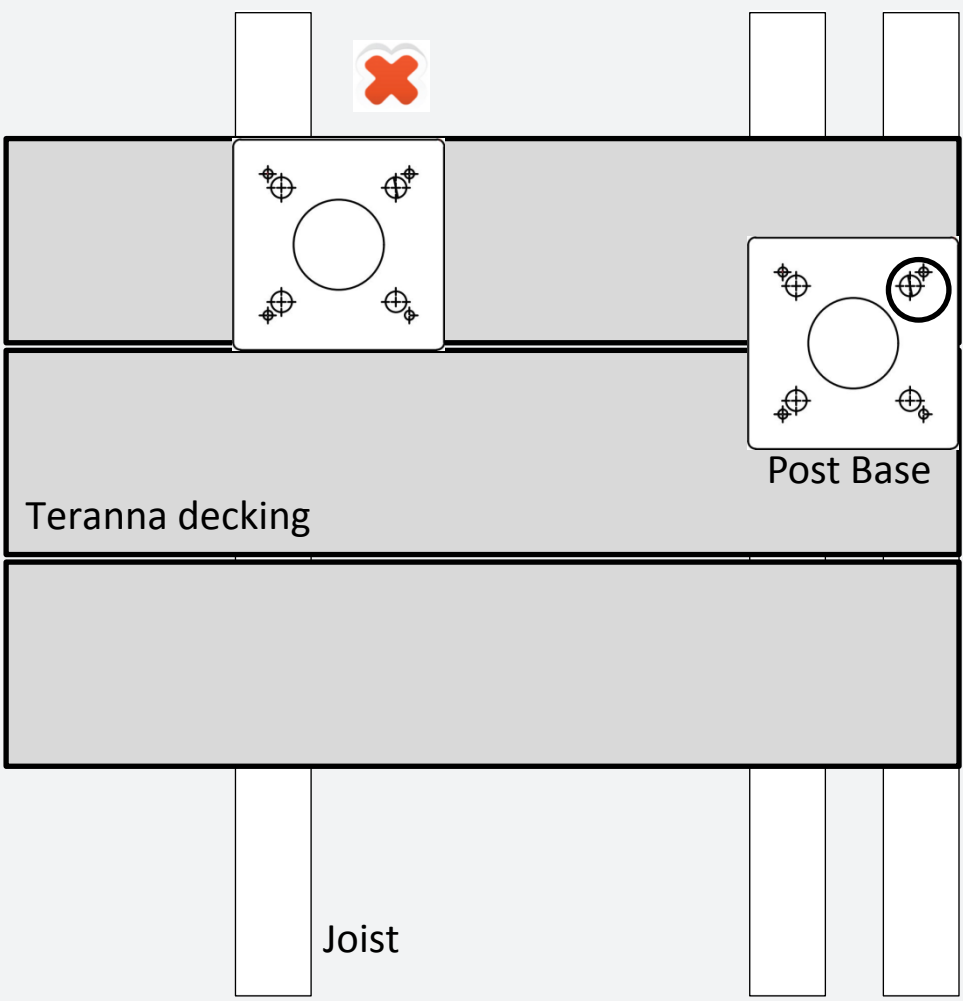
3



The overall width of the railing should be 1600mm. Install the base with expansion bolts provided.

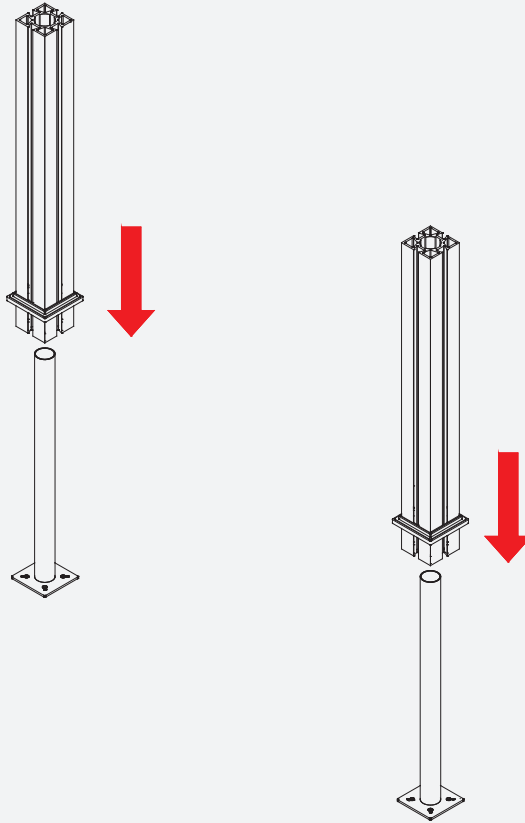
4

Post Base Installation on to Decking:



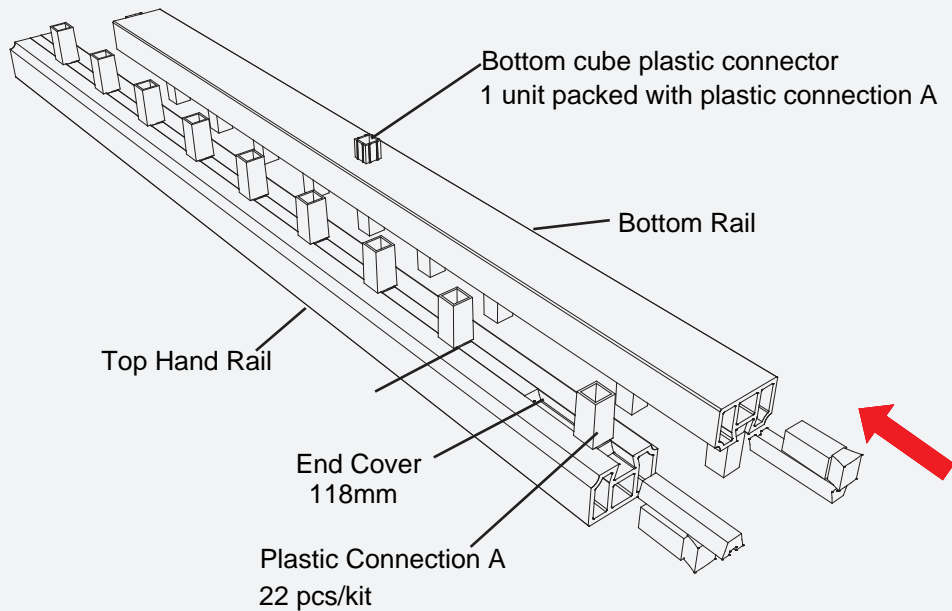
Note:
When Installing on the decking board, the post base should always be screwed to the joist. The recommended screw is corrosion resistant 5mm x 60mm wood screw.

5



Put the post into the base along with the skirt

6

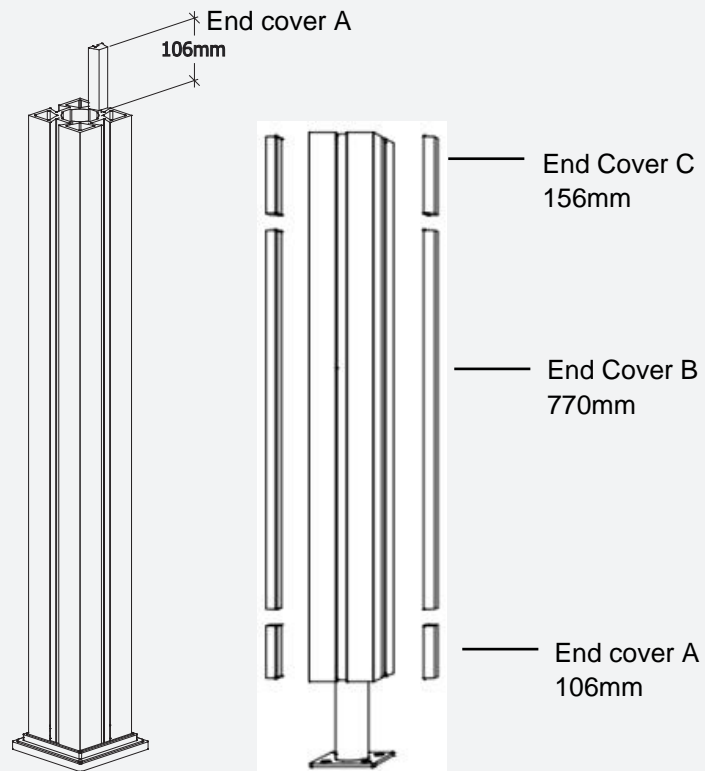


Insert the end cover (118mm) and plastic connection A into the hand rail slot

Cut the two sides end cover to suit the total length of hand railing

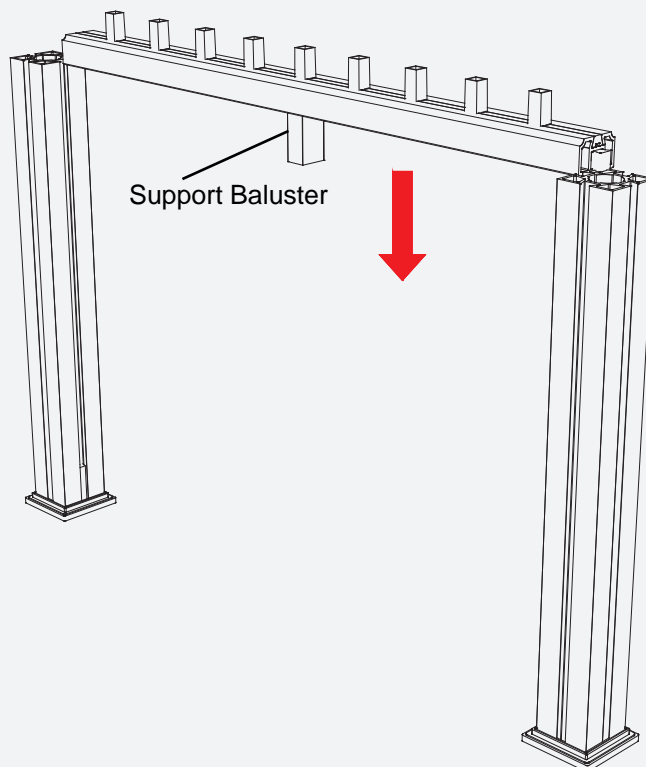
Fix the cube plastic connector on the bottom rail with screws

7



After the post and skirt are in place, insert the end cover A (sample dimension 106mm) into the post slot. (One long End Cover measuring 1050mm is provided. This can be cut into End Cover A, B & C according to site specific needs as in the demo above).

8

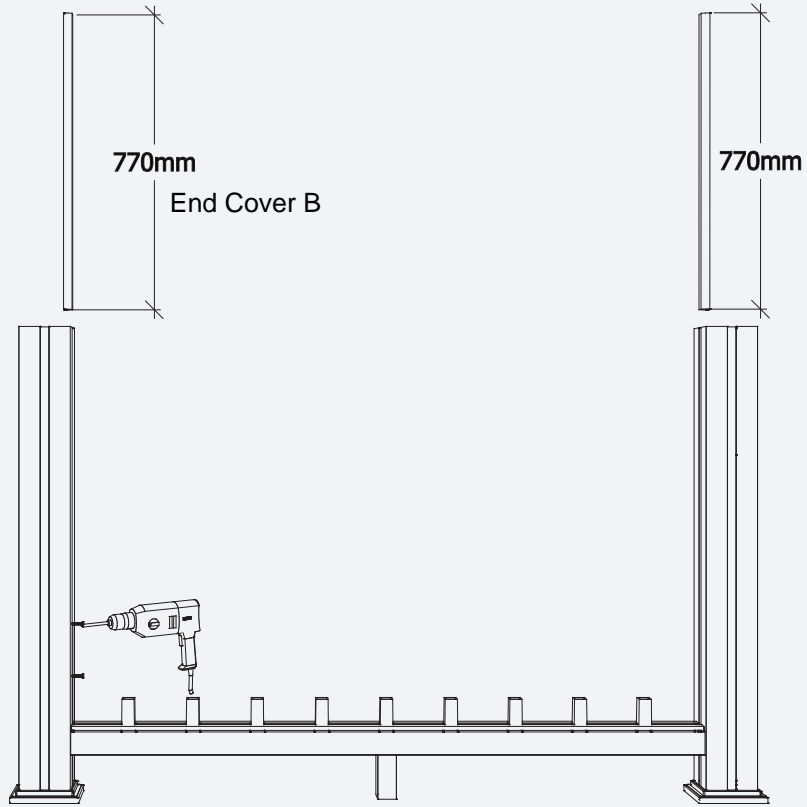


Insert the Support Baluster (sample dimension 106mm) into the cube connector.

We provide the Support Baluster measuring 720mm packed with the normal baluster. This can be cut according to site specific needs).

Insert the bottom rail into the slots of the two posts.

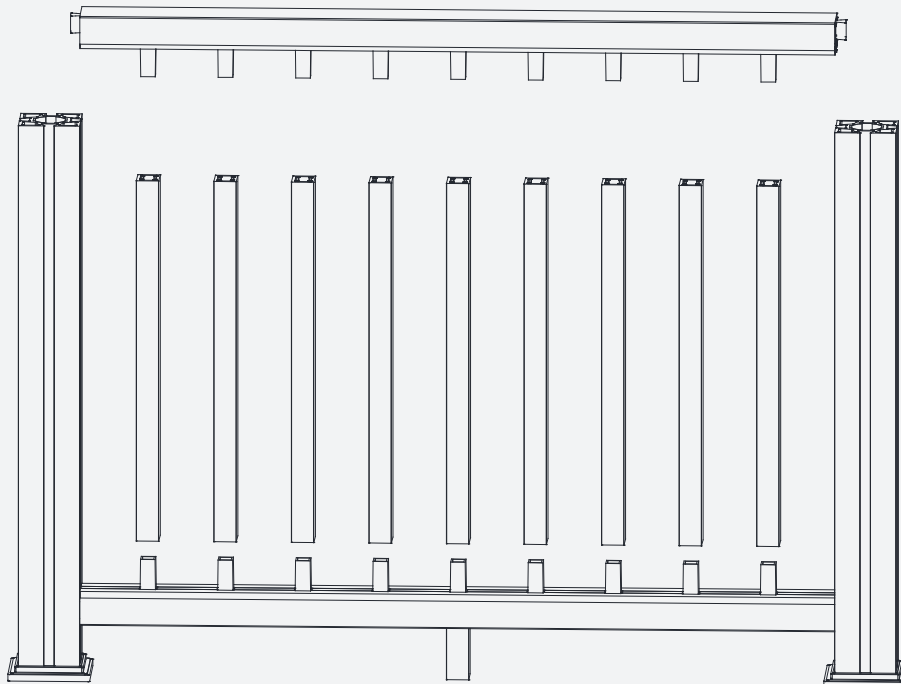
9



Firstly fix the post and base with screws.

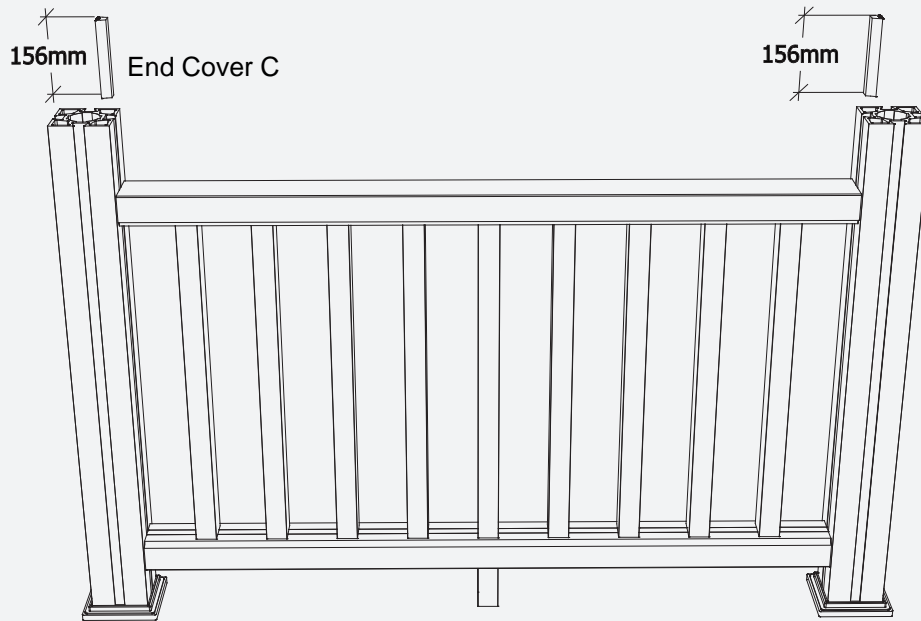
Then insert the end cover B (sample dimension is 770mm) into the post.

10



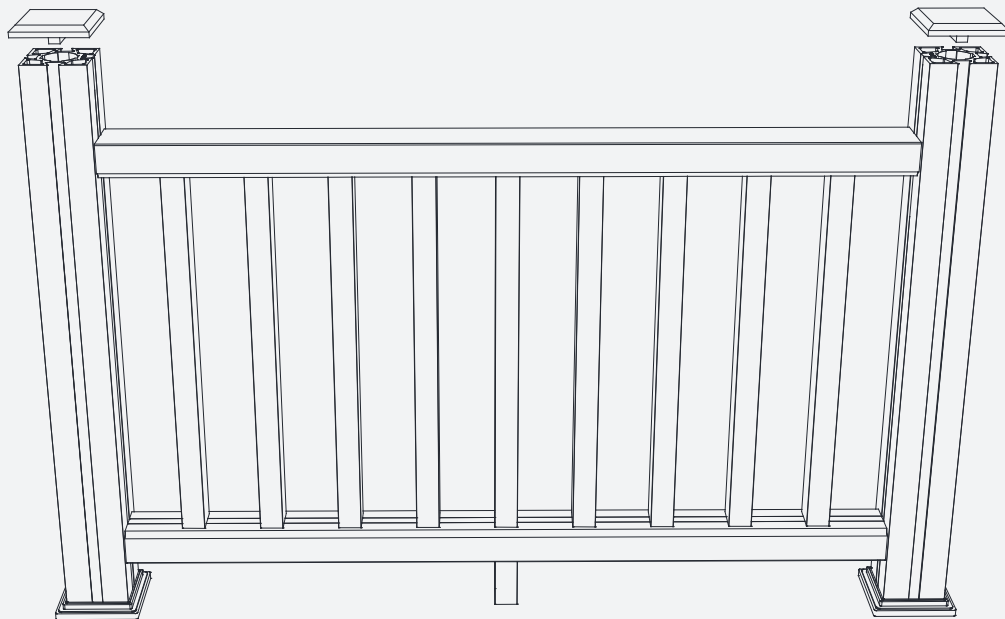
Put the balusters into the bottom rail connectors and insert the top rail into the posts.

11



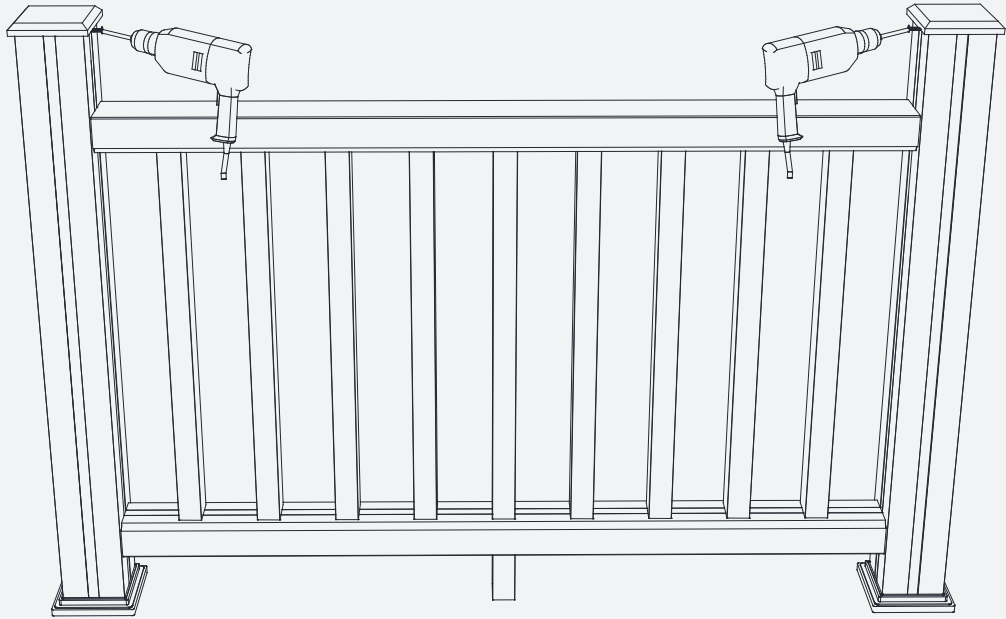
Then insert the end cover C (sample dimension 156 mm) into the post.

12



Put the post cap on the post.

13



Fix caps with screws to complete the installation